

FK07 FRANKFURT
TABLE
DESIGN: FERDINAND KRAMER, 1959

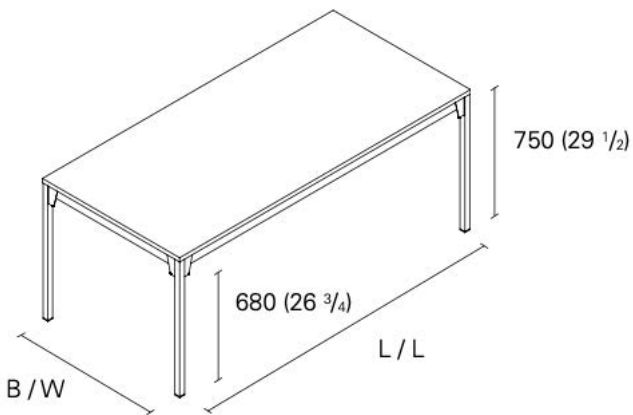


The iconic Frank-furt table by Ferdinand Kramer is an especially significant example of his progres-sive and endur-ing designs, which surpass through their simplicity and function. Designed in 1959 as part of the “Knock-Down” series for the Johann Wolf-gang Goethe University Frankfurt, the precise form with the signa-ture corner detail accen-tu-ates the unique character of the table. The triangle connection is an equally stabilizing factor. With a table top in CPL-coated MDF or lacquered oak-veneer the re-edition offers a variety of finishes. The sub-frame is made from powder-coated steel and is avail-able in silk grey. Frankfurt is ideally suited as a working desk, conference or dining table and is especially complemented with the Houdini chairs from the e15 collec-tion. The table is delivered in five parts.

DIMENSIONS

l x w/d x h

78 3/4" x 39 3/8" x 29 1/2"



CONTEXT

ENQUIRIES
info@contextgallery.com

Tel. 404. 477. 3301
Tel. 800. 886.0867

contextgallery.com