

Upholstered Peacock

pp521

Design: Hans J. Wegner, 1953

ENQUIRIES
info@contextgallery.com

Tel. 404. 477. 3301
Tel. 800. 886.0867

contextgallery.com



Upholstering a classic

The **Upholstered Peacock** is, as the name implies, an upholstered interpretation of the **pp550 Peacock Chair** from 1947, one of Wegner's all time classics and one of his personally most beloved designs. In the **Upholstered Peacock** Wegner has repeated the arch from the original version and then covered the construction with fabric making a softer chair. The neck and the armrests allow the sitter to indulge in the sensible touch of leather, right where it matters the most.

The elegantly resolved use of leather and fabric in combination is unique, and the way in which these two contradicting materials are so well balanced is a strong example of Wegner's extraordinary sense for the material.

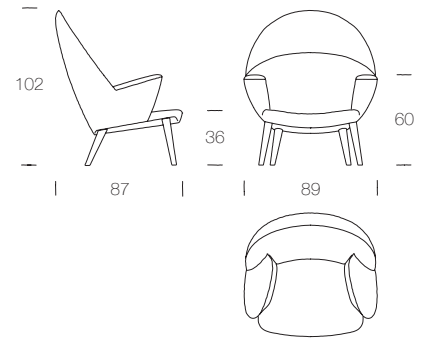


Upholstered Peacock

Design: Hans J. Wegner, 1953

pp521

pp521 is upholstered using only natural materials like flax fibres, cotton, jute straps, palm leaves and horsehair. This is the only way to ensure that this kind of easy chair will be worn in rather than worn out with time.



pp møbler
Vestvej 45
3450 Allerød
Denmark
info@pp.dk
www.pp.dk

