

## Deck Chair

Design: Hans J. Wegner, 1958

ENQUIRIES  
[info@contextgallery.com](mailto:info@contextgallery.com)

Tel. 404. 477. 3301  
Tel. 800. 886.0867

[contextgallery.com](http://contextgallery.com)



## Pure relaxation



The **Deck Chair** is serving exactly the purpose that the name implies and stands as an obvious archetype. Nevertheless, it refers to a number of earlier Wegner designs and is basically derived from the **pp512 Folding Chair** and the beautiful but rare **Dolphin Chair**, adding an adjustment mechanism for the back very similar to the one on the **pp530 Tub Chair**.

Despite the number of references, the **Deck Chair** seems to be concluded with simple means. It is an elegant and agile recliner. Although it is not made for permanent outdoor use, the flag line and the light construction will encourage one to bring it out to enjoy a sunny afternoon under the blue sky.

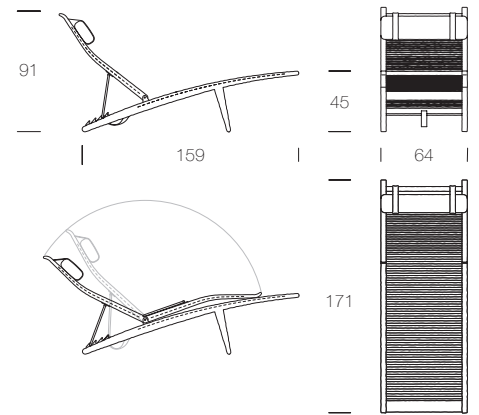
# Deck Chair

Design: Hans J. Wegner, 1958

pp524

pp524 is contrary to its predecessors, has no armrests. The fittings and a stainless steel loop with a strap for safety, allows the chair four different positions. The chair comes with a neck cushion in fabric or leather. A sheep-skin can be delivered separately.

The flag halyard is available in nature or black. Flag line is made from jute and has a high tensile nylon core for optimal strength covered by a protective sleeve of woven jute. In order to optimise rigidity the flag line is stretched before it is applied to the chair.



pp møbler

Vestvej 45  
3450 Allerød  
Denmark

info@pp.dk  
www.pp.dk

